

## *Technical Specifications*

### **Focus**

### **Technical Configuration**

1. Technical Data Sheets
2. Presentation and choice of rail
3. Dimensions of the cover
4. Permitted obstacle(s)
5. Required water level

## Manual model

### SPECIFICATIONS

4-season safety cover that complies with the **AFNOR regulation NF P90-308 December 2013**



**Manipulation :** Ratchet spanner to be placed on the central drum for closing and opening

**Membrane :** PVC pre-stressed membrane

**Belt :** Polyurethane with stainless steel cables



**Mechanical :** All the metallic parts involved in the security are in anodized aluminium and 316 stainless steel

**Rails :** Anodized aluminium

**Casing :** Polyester powder-coated aluminium, matt finished of **Ral colour 7037** (standard)

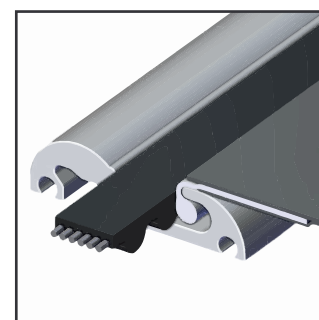
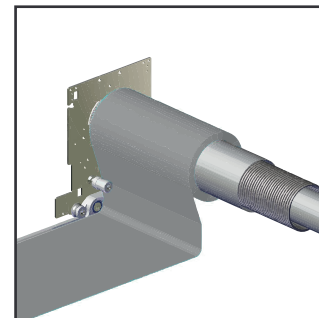


**Length :** min 2 meters -> max 24 meters

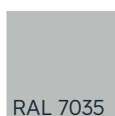


**Width :** min 2 meters -> max 8,5 meters (depending on the length of the cover)<sup>1</sup>

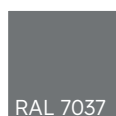
**Speed :** Closing/opening time : 60 seconds for a length of 5 meters



### AVAILABLE COLOURS OF THE MEMBRANE



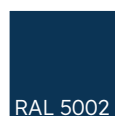
RAL 7035  
Light Grey



RAL 7037  
Dust Grey



RAL 6026  
Opal Green



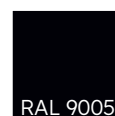
RAL 5002  
Ultramarine Blue



RAL 5015  
Sky Blue



RAL 1015  
Light Ivory



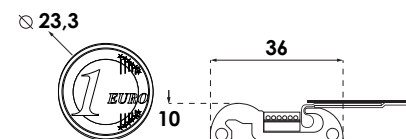
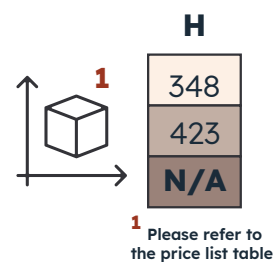
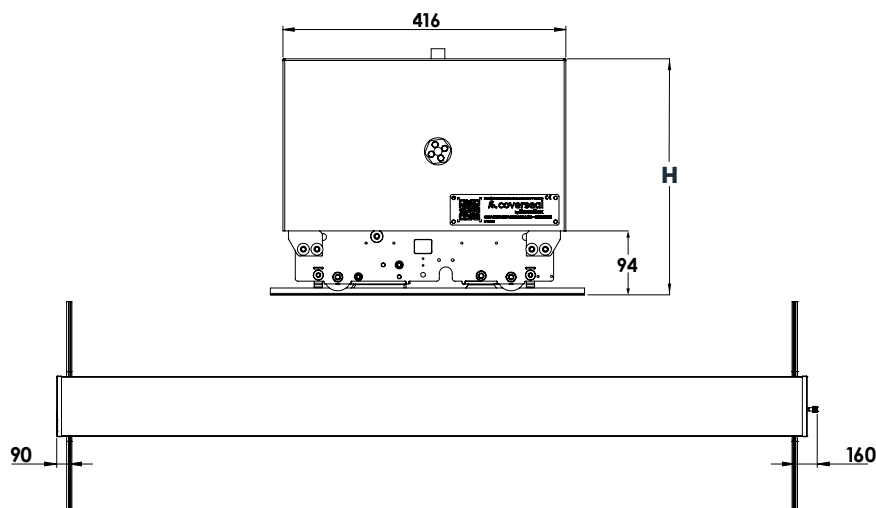
RAL 9005  
Pure Black



### AVAILABLE OPTIONS

- All-terrain rail (RTT) 72,0 mm x 10,6 mm (unregular surface or low density)
- The casing is available in all RAL K7 Classic paints except for fluo and metallic paints.
- Mechanical closing sensor

### MEASURES (in mm)



afnor



Technical Specifications

Cover 102 in compliance with the Afnor NF P90-308 standard of December 2013 - LNE certified

coverseal

## Semi-Automatic model

### SPECIFICATIONS

4-season safety cover that complies with the **AFNOR regulation NF P90-308 December 2013**



- Manipulation :**
  - Portable control box equipped with 2 batteries 12V 5,5 Ah
  - Independent charger to plug into an electrical outlet 220 V
  - Ratchet spanner only in case of an electrical failure

- Membrane :** PVC pre-stressed membrane

- Belt :** Polyurethane with stainless steel cables



- Mechanical :** All the metallic parts involved in the security are in anodized aluminium and 316 stainless steel

- Rails :** Anodized aluminium

- Casing :** Polyester powder-coated aluminium, matt finished of **Ral colour 7037** (standard)

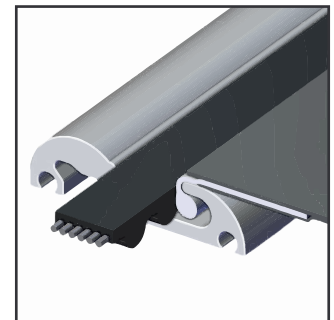
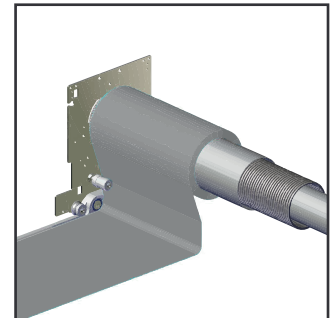


- Length :** min 2 meters -> max 24 meters



- Width :** min 2 meters -> max 8,5 meters (depending on the length of the cover)<sup>1</sup>

- Speed :** Closing/opening time : 60 seconds for a length of 13 meters



### AVAILABLE COLOURS OF THE MEMBRANE



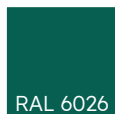
RAL 7035

Light Grey



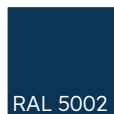
RAL 7037

Dust Grey



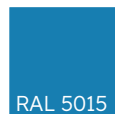
RAL 6026

Opal Green



RAL 5002

Ultramarine Blue



RAL 5015

Sky Blue



RAL 1015

Light Ivory



RAL 9005

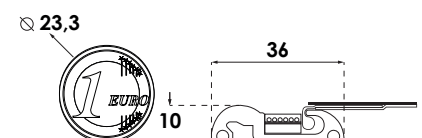
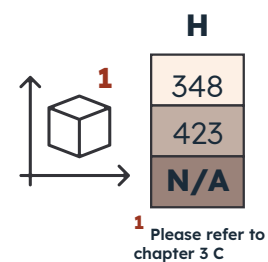
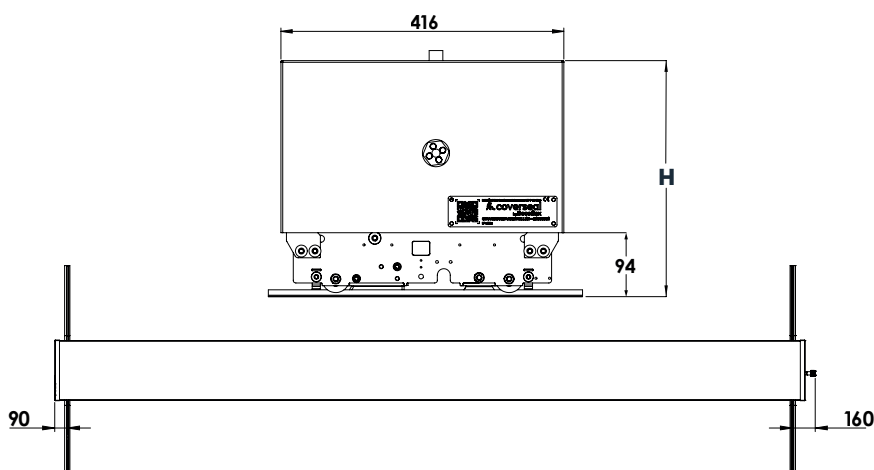
Pure Black



### AVAILABLE OPTIONS

- All-terrain rail (RTT) 72,0 mm x 10,6 mm (unregular surface or low density)
- The casing is available in all RAL K7 Classic paints except for fluo and metallic paints.
- Mechanical closing sensor

### MEASURES (in mm)



afnor



Technical Specifications

Cover 102 in compliance with the Afnor NF P90-308 standard of December 2013 - LNE certified

coverseal

## Automatic model

### SPECIFICATIONS

4-season safety cover that complies with the **AFNOR regulation NF P90-308 December 2013**



- Manipulation :**
  - Wireless control with maintained contact
  - Wired control with 3 buttons
  - Rechargeable by 2 solar panels 12v/ 12W/ 0.78Ah of 2 batteries 12V - 5,5 Ah (except indoor pool = on power supply)
  - Ratchet spanner only in case of an electrical failure

**Membrane :** PVC pre-stressed membrane

**Belt :** Polyurethane with stainless steel cables



**Mechanical :** All the metallic parts involved in the security are in anodized aluminium and 316 stainless steel

**Rails :** Anodized aluminium

**Casing :** Polyester powder-coated aluminium, matt finished of **Ral colour 7037** (standard)

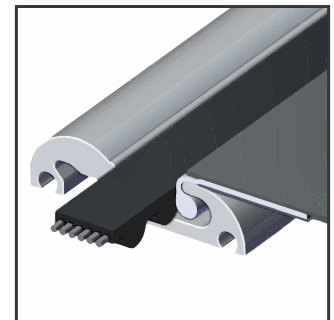
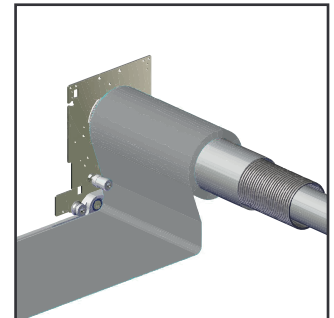


**Length :** min 2 meters -> max 28 meters

**Width :** min 2 meters -> max 12 meters (depending on the length of the cover)<sup>1</sup>



**Speed :** Closing/opening time : 60 seconds for a length of 13 meters



### AVAILABLE COLOURS OF THE MEMBRANE



RAL 7035

Light Grey



RAL 7037

Dust Grey



RAL 6026

Opal Green



RAL 5002

Ultramarine Blue



RAL 5015

Sky Blue



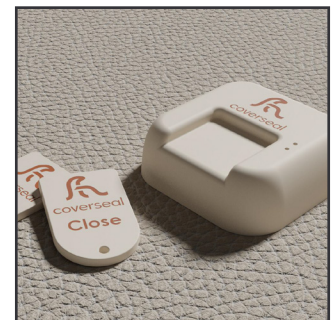
RAL 1015

Light Ivory



RAL 9005

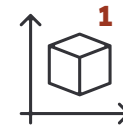
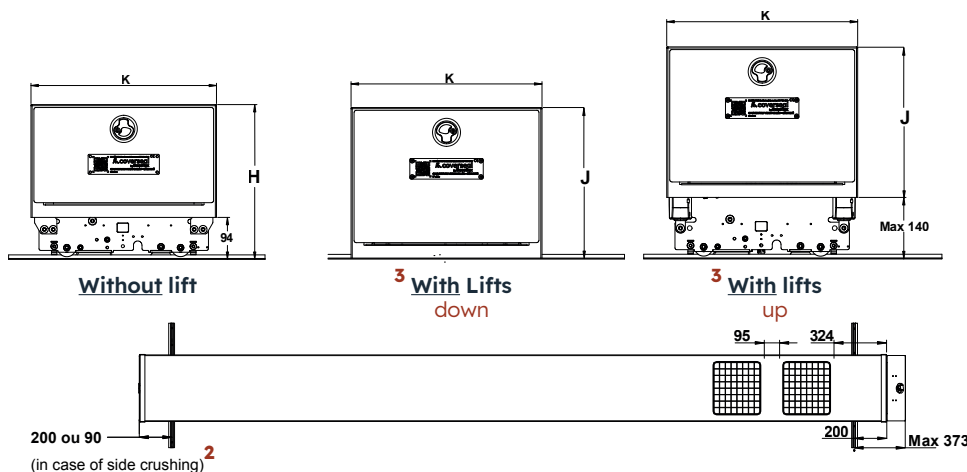
Pure Black



### AVAILABLE OPTIONS

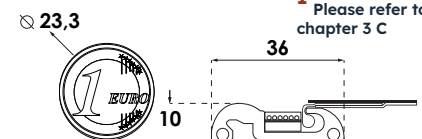
- The casing is available in all RAL K7 Classic paints except for fluo and metallic paints.
- All-terrain rail (RTT) 72,0 mm x 10,6 mm (unregular surface or low density)
- 2 solar panels additional
- Mechanical closing sensor
- Charging station for indoor pool
- Side Crushing<sup>2</sup>
- Lift<sup>3</sup> in case of obstacle and low clearance

### MEASURES (in mm)



H	J	K
348	333	416
423	418	416
508	483	471

<sup>1</sup> Please refer to chapter 3 C



afnor



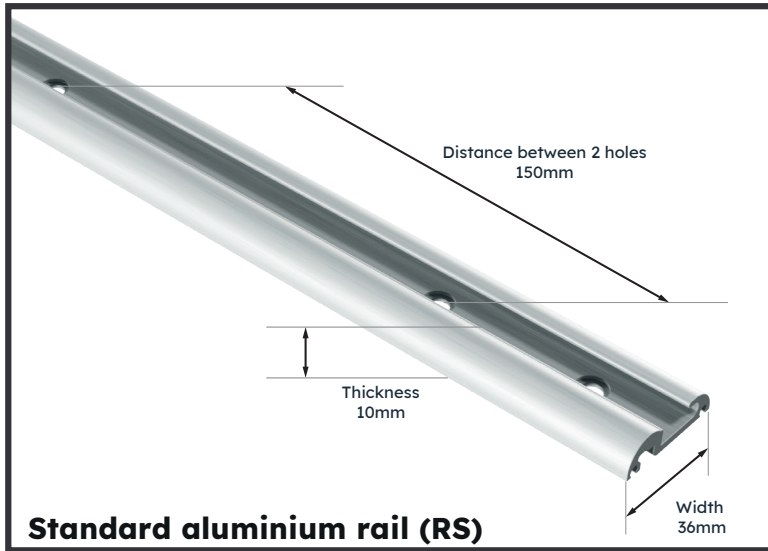
Technical Specifications

Cover 102 in compliance with the Afnor NF P90-308 standard of December 2013 - LNE certified

coverseal

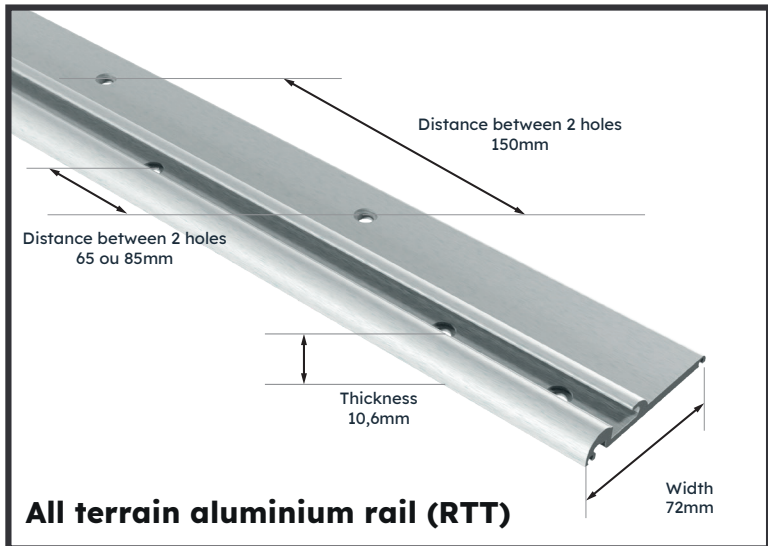
## A. Authorised surfaces

### 1. Dense and regular surfaces



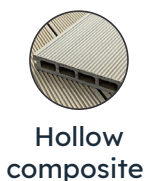
-  Smooth natural stone
-  Céramic
-  Dense wood ( $\rho > 650\text{kg/m}^3$ )
-  Smooth concrete slab

### 2. Low density and/or irregular surfaces



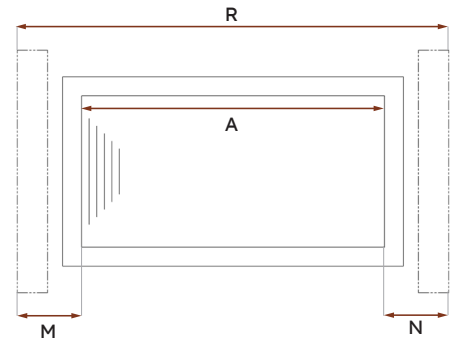
-  Paving stones
-  Softwood ( $\rho < 650\text{kg/m}^3$ )
-  Solid composite
-  Brick on edge
-  Klinkers

## B. Forbidden surfaces



## A. Opening/closing overlap (R= M+A+N)

To calculate the minimum total length of the cover (R), take the inside length between coping stones (A) to which must be added the overlap in opening and closing (M+N).

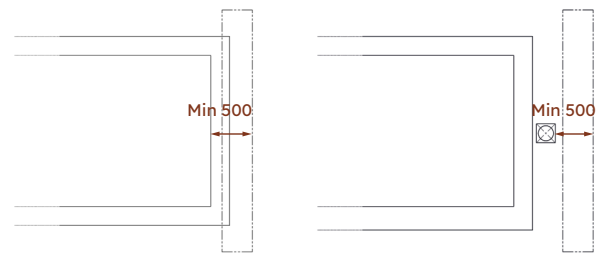


### To calculate «M/N»

#### 1. In opening (pool accessible)

To the length of the pool, must be added a **minimum distance of 500mm** from the end of the stone or behind a trap that must remain accessible (example: skimmer).

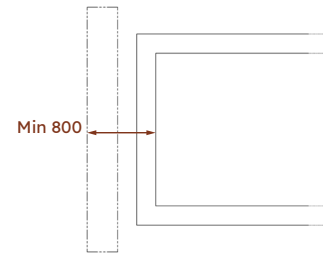
If it's impossible to free access to this trap, it's possible to do a "skimmer cut" in the membrane (maximum Ø 400mm)



#### 2. In closing (pool inaccessible)

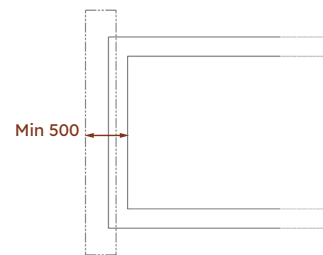
- Manual, Semi-Automatic, Automatic **without lift**

To the length of the pool, must be added a **minimum distance of 800mm** from the end of the stone to provide an optimal sealing.



- Automatic **with lift\***

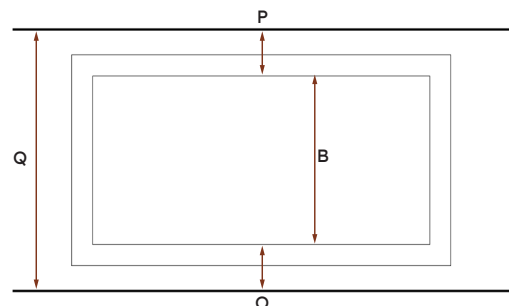
To the length of the pool, must be added a **minimum distance of 500mm** from the end of the stone to provide an optimal sealing.



\*The surface must be perfectly flat in the open and closed position to allow the the covering to rest on the floor.

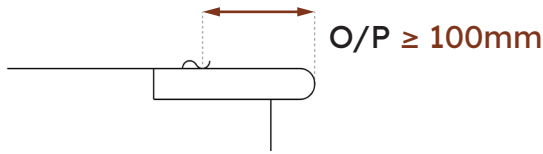
## B. Rail spacing (Q= O+B+P)

To calculate the minimum total width of the cover, take the inside width between coping stones (B) to which must be added the necessary distance on each side (O+P) for a good anchoring respecting the following cases.

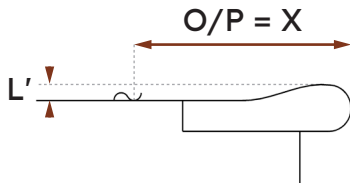


## To calculate «O/P»

### 1. Flat coping / No coping



### 2. Curved coping

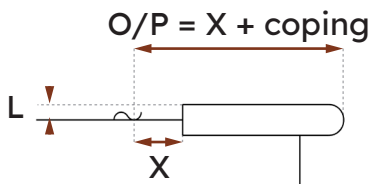


Minimum distance "X" mm depending on the height of the obstacle (see formula or table below)

Example: If the width between coping stones (B) is 4000mm and if "L" is 40mm THEN "X" minimum = 40mm (4x60mm)

(Q) = 4000mm (B) + 240mm (O) + 240mm (P) = 4480mm

### 3. Raised flat coping

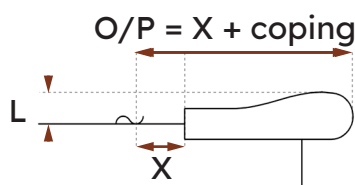


Minimum distance "X" mm depending on the height (see formula or table below) to which the width of the coping must be added

Example: If the width between copings (B) is 5000mm, if "L" is 20mm and the width of the coping is 300mm THEN "X" minimum = 120mm (2x60mm) and O/P = (120+300)

(Q) = 5000mm (B) + 420mm (O) + 420mm (P) = 5840mm

### 4. Raised curved coping



Minimum distance «X» mm depending on the total height «L'» (see formula or table below) to which the width of the coping must be added.

Example: if the width between the copings (B) is 4000 mm, if «L'» is 50 mm and if the width of the copings is 250 mm THEN «X» minimum = 300 mm (5x60 mm) and O/P = (300+250)

(Q) = 4000 mm (B) + 550 mm (O) + 550 mm (P) = 5100 mm

### Formula :

Minimum distance "X" = 60mm by 10mm of curve/heightening

Example: if curve/heightening = 30mm then minimum "X" = 180mm (3x60mm)

### Table :

Minimal distance « X » in mm		Height curve/obstacle «L of L'»						
		50	60	70	80	90	100	110
Inside width of the pool between copings in mm (B)	2 000	430	940	N/A	N/A	N/A	N/A	N/A
	3 000		450	630	850	1110	1390	N/A
	4 000			480	640	830	1050	1290
	5 000				520	670	840	1030
	6 000					560	700	860
	7 000							740

\* N/A = Not admitted



Technical Specifications

Cover 102 in compliance with the Afnor NF P90-308 standard of December 2013 - LNE certified

coverseal

## C. Maximal dimensions

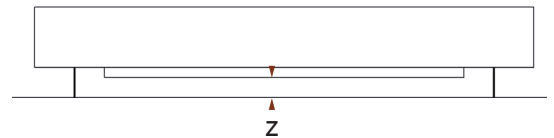
Max. dimensions

Width	Length																											
	≤7000	8000	9000	10000	11000	12000	13000	14000	15000	16000	17000	18000	19000	20000	21000	22000	23000	24000	25000	26000	27000	28000						
≤3000	Light Blue										Dark Blue										Dark Blue							
3500	Light Blue										Dark Blue										Dark Blue							
4000	Light Blue										Dark Blue										Dark Blue							
4500	Light Blue										Dark Blue										Dark Blue							
5000	Light Blue										Dark Blue										Dark Blue							
5500	Light Blue										Dark Blue										Dark Blue							
6000	Light Blue										Dark Blue										Dark Blue							
6500	Light Blue										Dark Blue										Dark Blue							
7000	Light Blue										Dark Blue										Dark Blue							
7500	Light Blue										Dark Blue										Dark Blue							
8000	Light Blue										Dark Blue										Dark Blue							
8500	Light Blue										Dark Blue										Dark Blue							
9000	Light Blue										Dark Blue										Dark Blue							
9500	Light Blue										Dark Blue										Dark Blue							
10000	Light Blue										Dark Blue										Dark Blue							
10500	Light Blue										Dark Blue										Dark Blue							
11000	Light Blue										Dark Blue										Dark Blue							
11500	Light Blue										Dark Blue										Dark Blue							
12000	Light Blue										Dark Blue										Dark Blue							

Dark Blue: Only on Automatic model

## 4. Authorised obstacle(s)

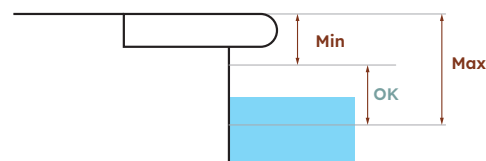
It is imperative to respect the table below to allow the mechanism to pass.



Max Height of the obstacle «Z» (in mm)	Models						
	Manual, Semi-Automatic, Automatic without lift				Automatic with lifts		
2 000 > 6000	85	85	85	110	110	110	
7 000	85	85	85	105	110	110	
8 000	85	85	85	100	110	110	
9 000	85	85	85	95	110	110	
10 000	80	85	85	90	110	110	
11 000	80	85	85	85	110	110	
12 000	75	85	85	80	110	110	
13 000	70	85	85	75	110	110	
14 000	70	85	85	70	110	110	
15 000	65	85	85	65	105	110	
16 000	60	85	85	60	100	110	
17 000	85	85	85	100	110	110	
18 000	85	85	85	95	110	110	
19 000	85	85	85	95	105	105	
20 000	85	85	85	90	105	105	
21 000	85	85	85	90	100	100	
22 000	85	85	85	85	95	95	
23 000	80	85	85	80	90	90	
24 000	75	85	85	75	85	85	
25 000		80	85	80	80	80	
26 000		75	75	75	75	75	
27 000		70	70	70	70	70	
28 000		65	65	65	65	65	

## 5. Required water level

The distance between the top of the coping and the pool water level must always be within the following ranges.



Pool width	< 4m	De 4 à 5m	De 5 à 6m	De 6 à 7m	De 7 à 8m	De 8 à 9m	De 9 à 10m	De 10 à 11m	De 11 à 12m
<b>Minimum Distance (Min)</b>									
Flat copings (up to 20 mm of obstacles) and dense surfaces	4cm	5cm	6cm	7cm	8cm	10cm	12cm	14cm	16cm
Other cases	8cm	10cm	12cm	14cm	16cm	18cm	20cm	22cm	24cm
<b>Maximum Distance (Max)</b>									
All cases	15cm	17cm	19cm	21cm	23cm	25cm	27cm	29cm	31cm



Technical Specifications

Cover 102 in compliance with the Afnor NF P90-308 standard of December 2013 - LNE certified

